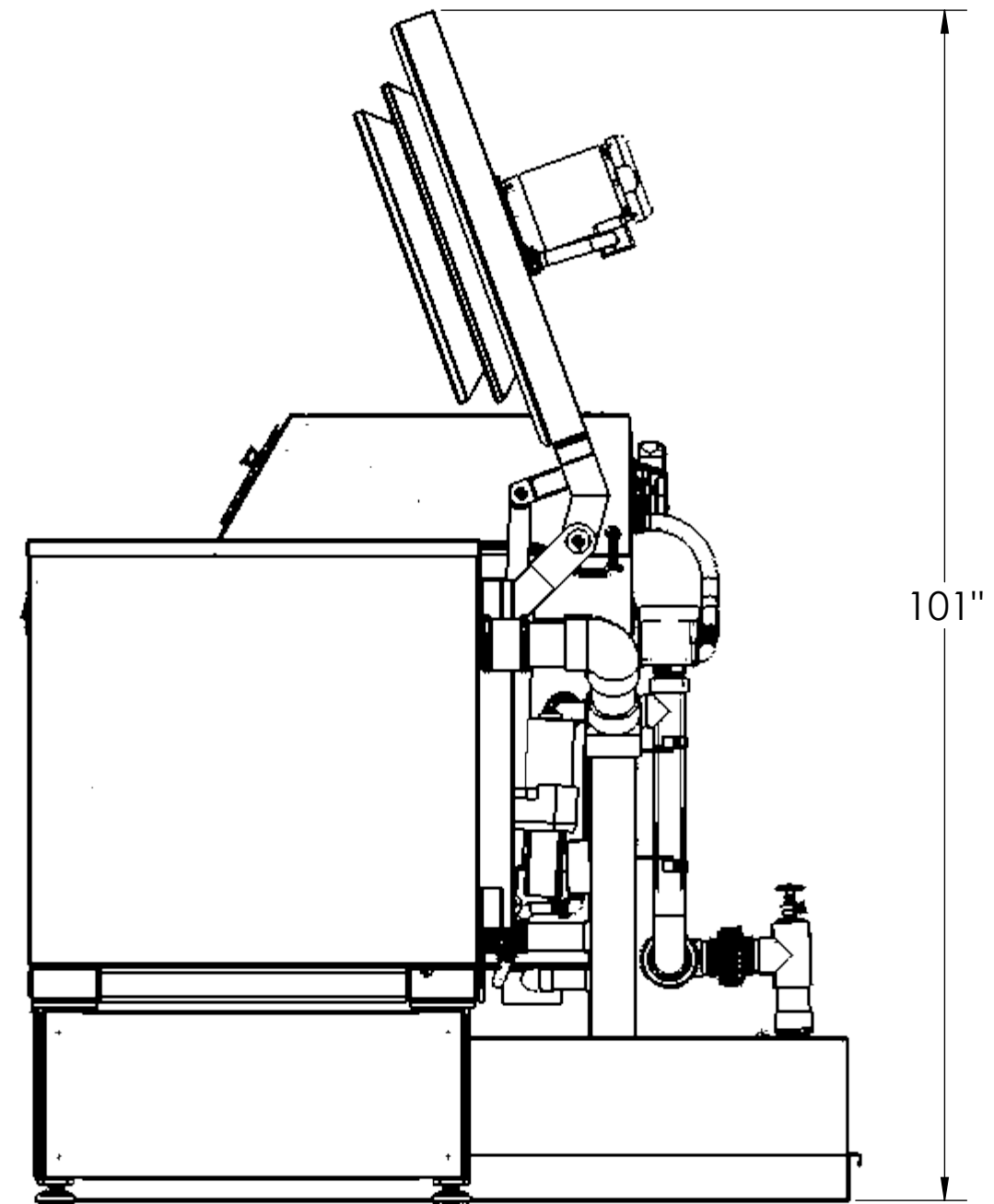
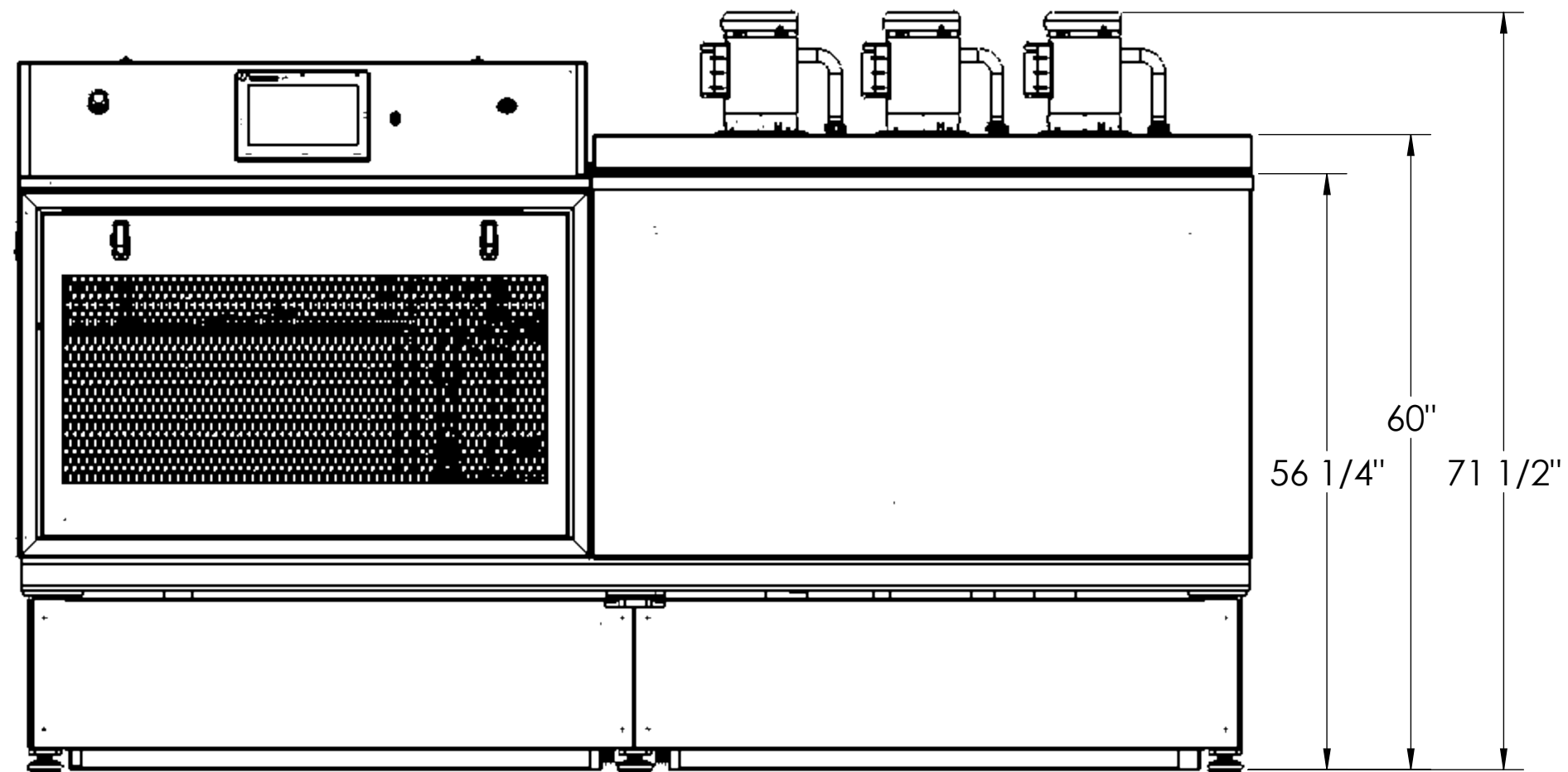
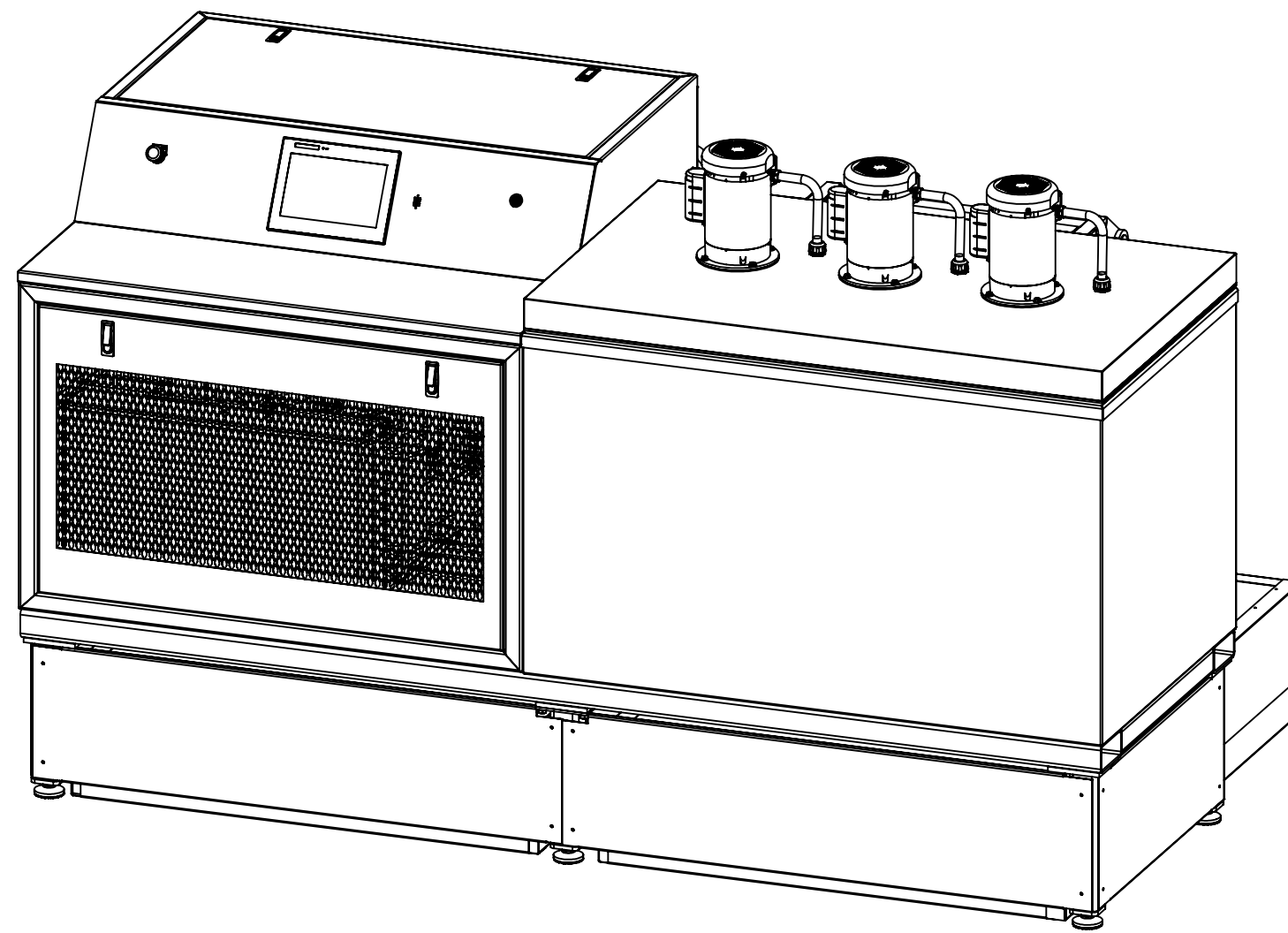
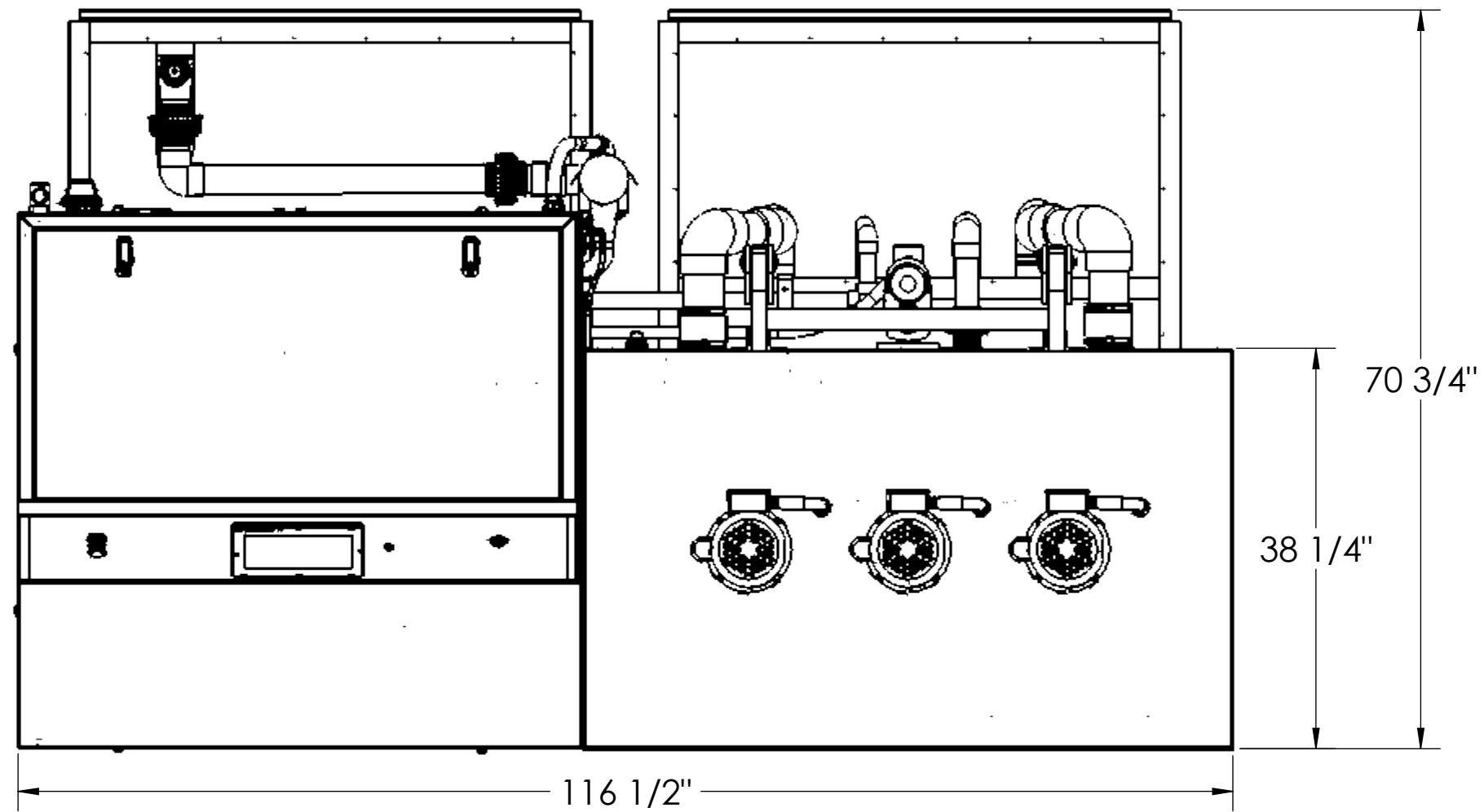


4

3

2

1



Lid Shown @ 70° Open

Internal Dimension of Test Chamber: 50" x 26" x 22"

UNLESS OTHERWISE SPECIFIED:
 DIMENSIONS ARE IN INCHES
 TOLERANCES:
 FRACTIONAL ±
 ANGULAR: MACH ± BEND ±1°
 TWO PLACE DECIMAL ±.020
 THREE PLACE DECIMAL ±.010

PROPRIETARY AND CONFIDENTIAL
 THE INFORMATION CONTAINED IN THIS
 DRAWING IS THE SOLE PROPERTY OF
 SCIENTEMP CORP. ANY REPRODUCTION
 IN PART OR AS A WHOLE WITHOUT THE
 WRITTEN PERMISSION OF SCIENTEMP
 CORP. IS PROHIBITED.

SCIENTEMP CORP. ADRIAN, MI		
DESC. FT60 - Dimensions		
DWG. NO. FT60 - Standard Design		
SCALE: 1:15 UNLESS NOTED	REV: A	SHEET 6 OF 6

	NAME	DATE
DRAWN	RDS	01/06/25
MATERIAL		
FINISH		
DO NOT SCALE DRAWING		

4

3

2

1

D

D

C

C

B

B

A

A