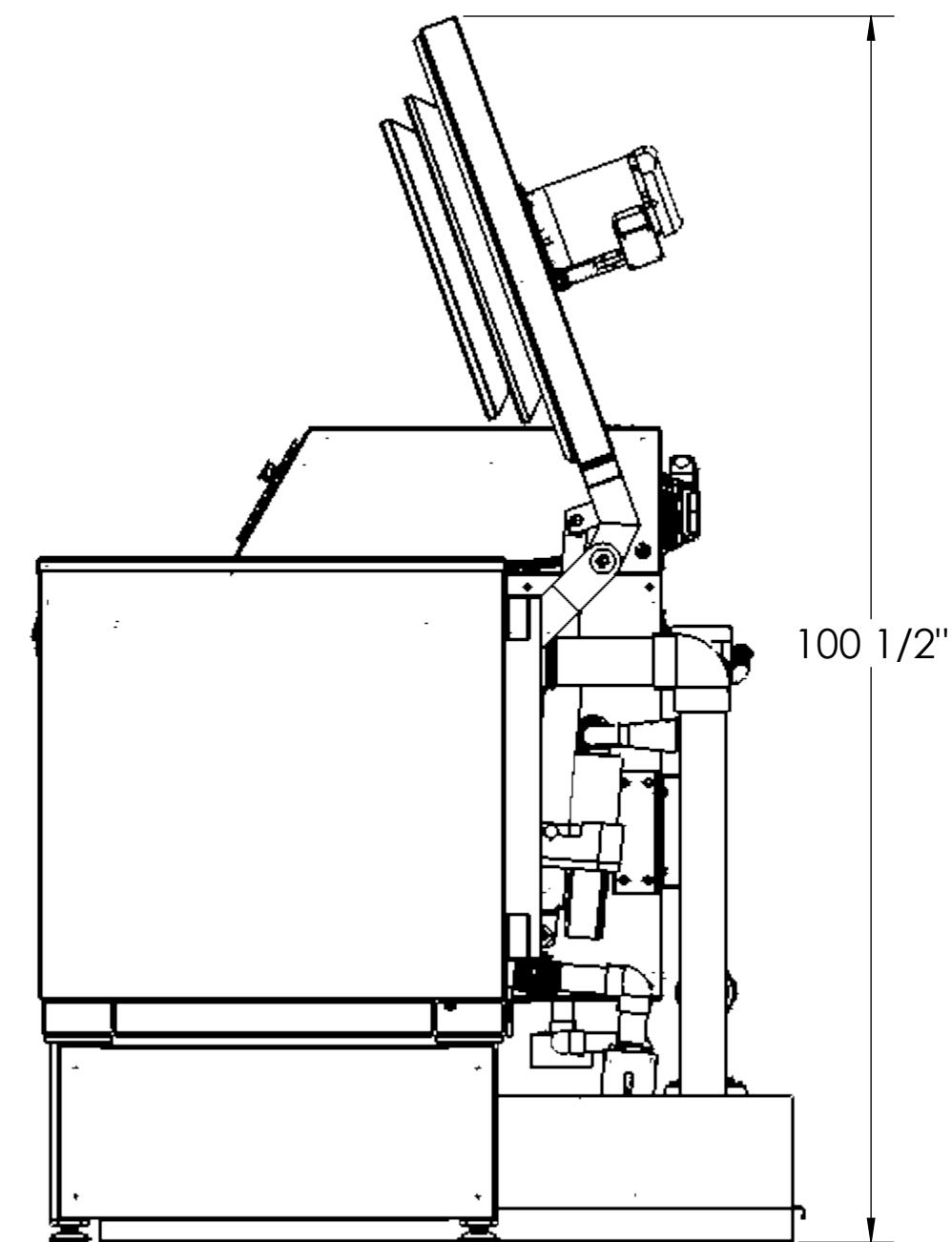
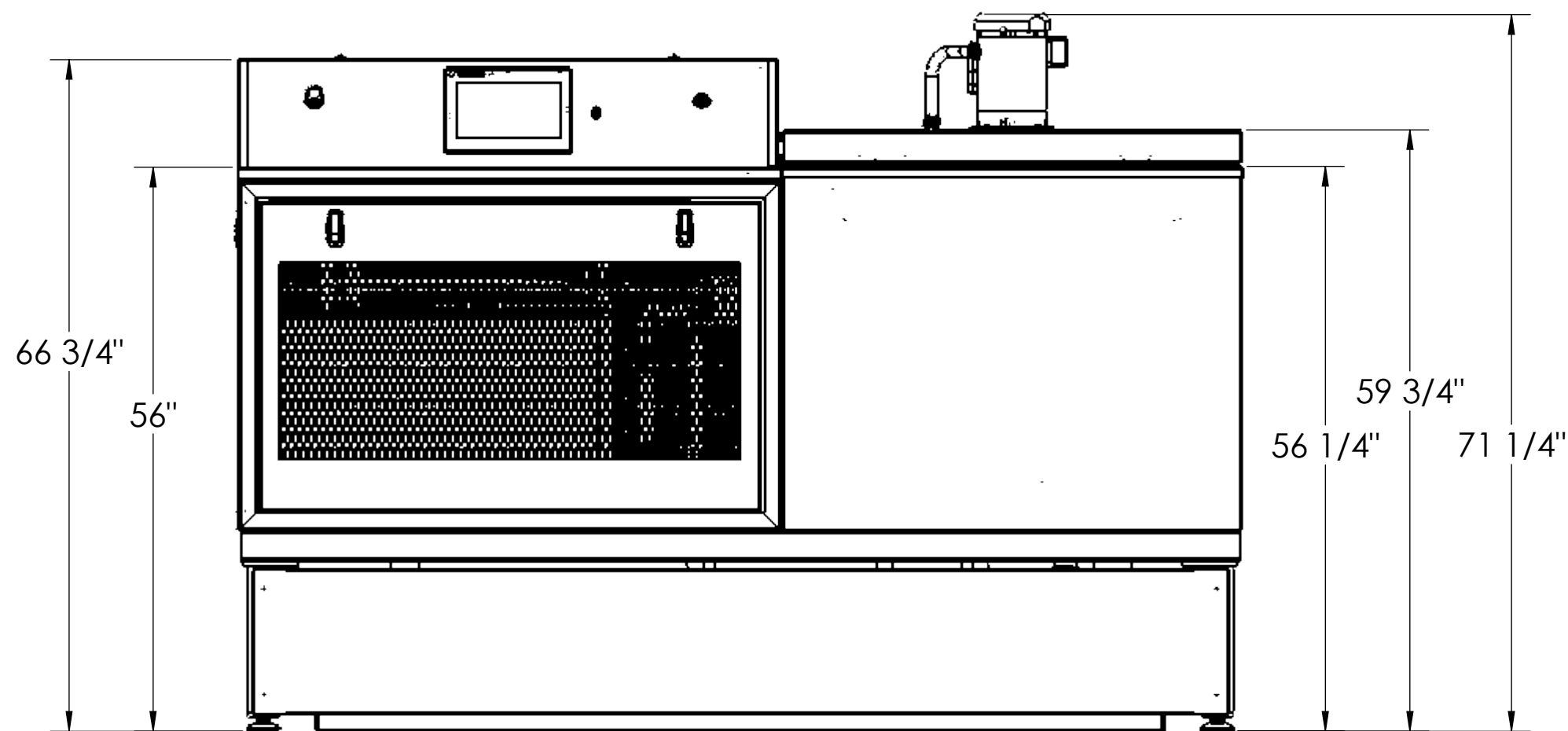
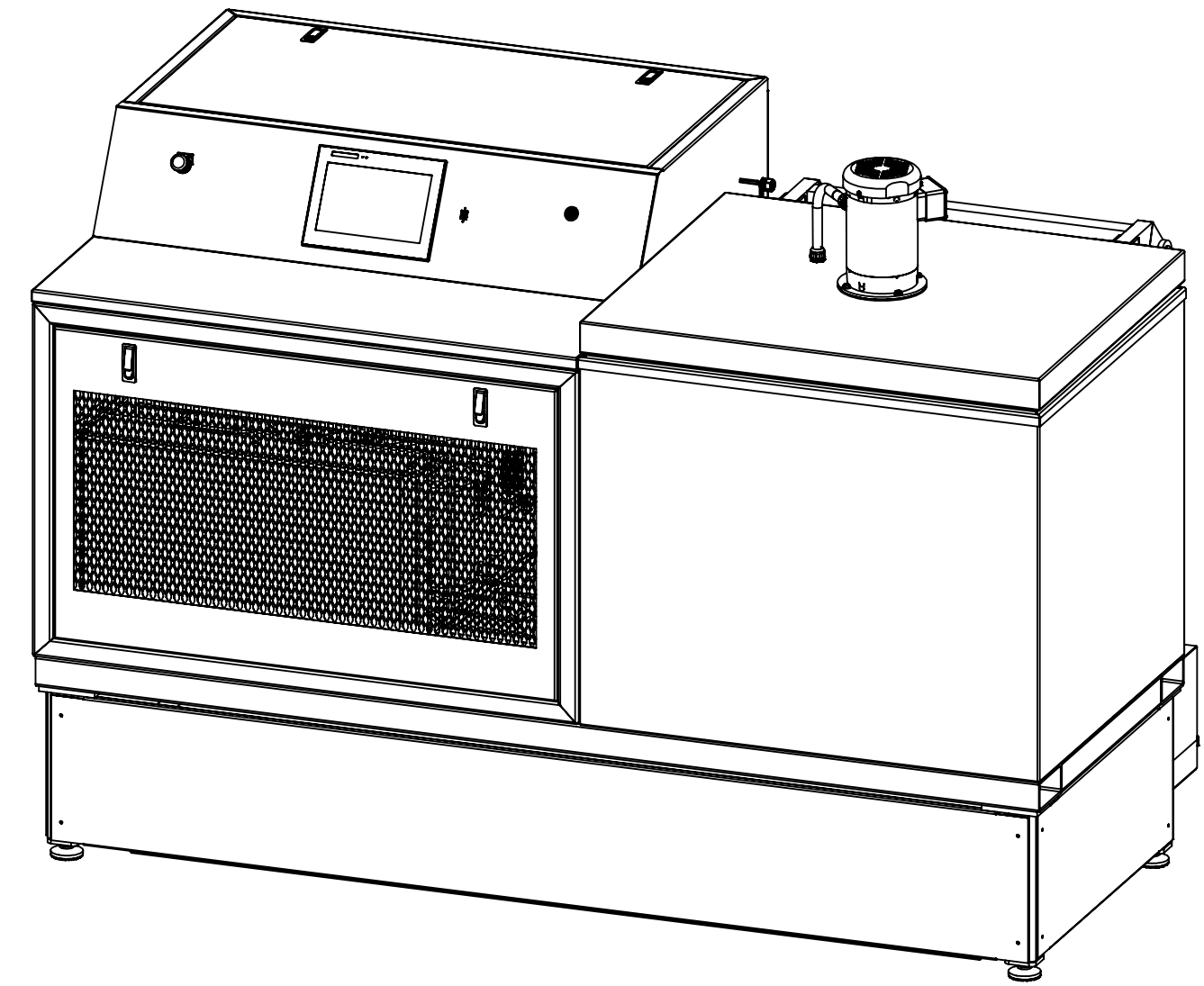
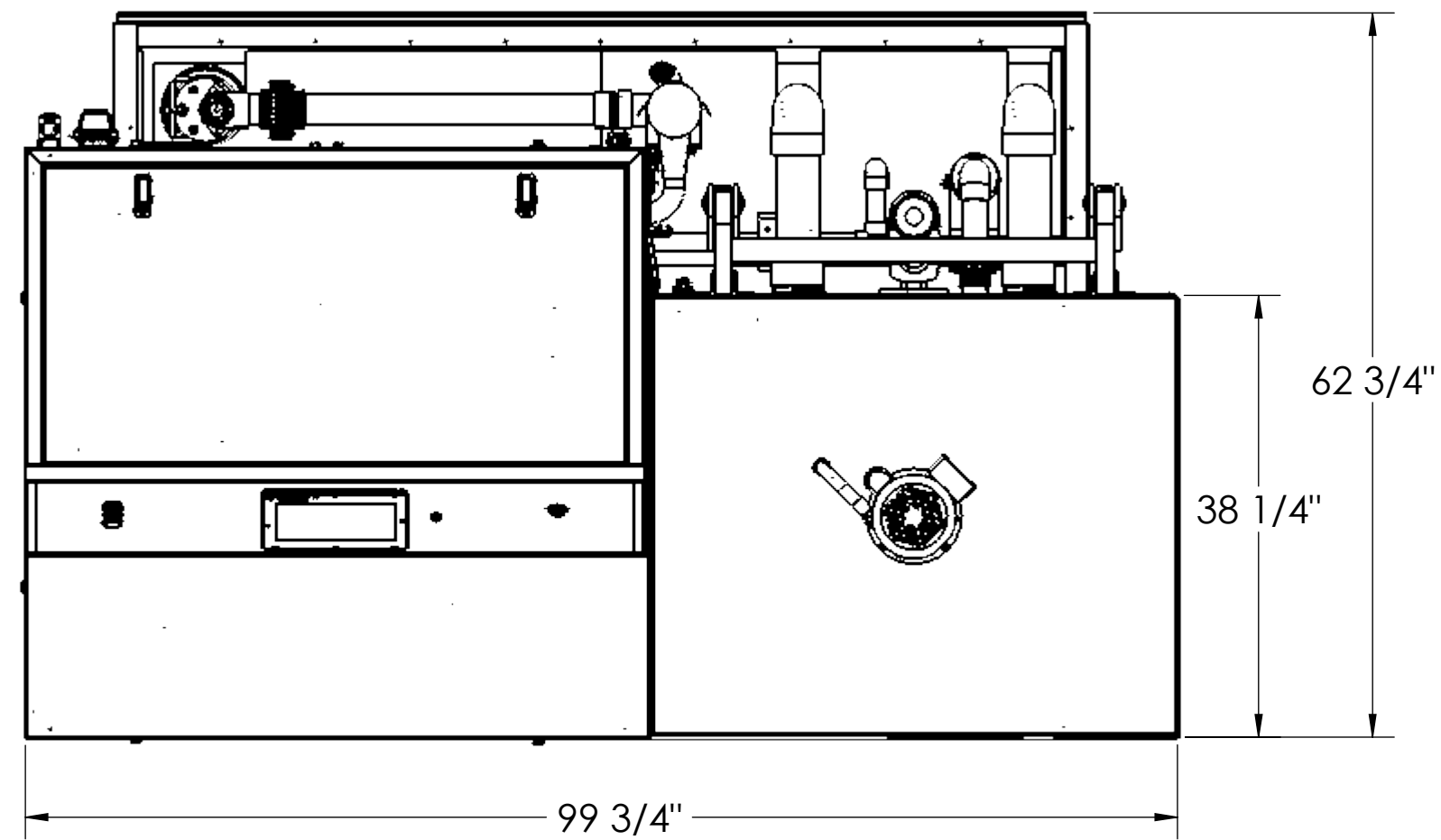


4

3

2

1



Lid Shown @ 70° Open

Internal Dimensions of Test Chamber: 33" x 26" x 22"

UNLESS OTHERWISE SPECIFIED: DIMENSIONS ARE IN INCHES TOLERANCES: FRACTIONAL ± ANGULAR: MACH ± BEND ±1° TWO PLACE DECIMAL ±.020 THREE PLACE DECIMAL ±.010		SCIENTEMP CORP. ADRIAN, MI	
DRAWN RDS 02/12/26		DESC. FT40 - Dimensions	
MATERIAL		DWG. NO. FT40 - Standard Design	
FINISH		SCALE: 1:15 UNLESS NOTED	
DO NOT SCALE DRAWING		REV: A SHEET 2 OF 4	
PROPRIETARY AND CONFIDENTIAL THE INFORMATION CONTAINED IN THIS DRAWING IS THE SOLE PROPERTY OF SCIENTEMP CORP. ANY REPRODUCTION IN PART OR AS A WHOLE WITHOUT THE WRITTEN PERMISSION OF SCIENTEMP CORP. IS PROHIBITED.			

4

3

2

1

D

D

C

C

B

B

A

A