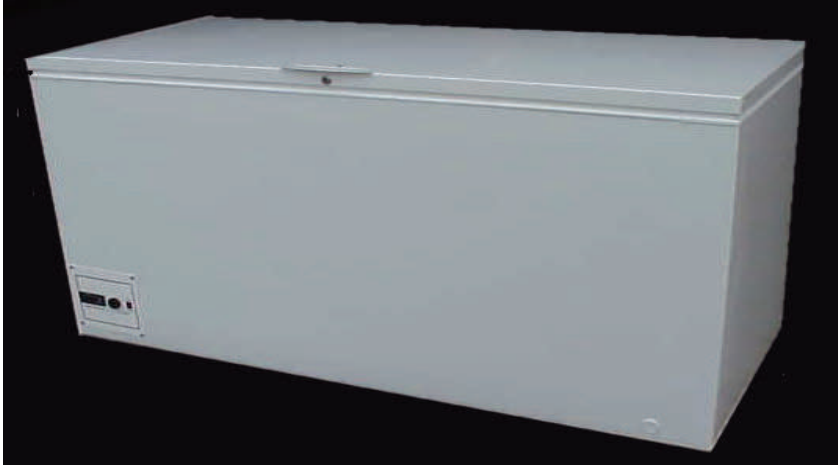


Model 34-25



Standard 25 cu. ft. Freezer

| | |
|---------------------------|------------------------------|
| Exterior Dimensions | 35"H x 74"W x 30"D |
| Interior Dimensions | 25.5"H x 67"W x 22"D |
| Temperature Range | 0 C /32F to -34 /-30F |
| Capacity | 25 cubic foot |
| Insulation | Urethane |
| Door | Key Locking |
| Casters | None |
| Temperature Controller | Digital Display |
| Alarm (No Battery Backup) | Audible Only |
| Refrigeration | |
| Compressor - High stage | 1/8 hp |
| Compressor | (Not Applicable) |
| Refrigerant | R-404A |
| Voltage | 115/60/1 230/60/1 230/50/1 |
| Refrigerant Control | Capillary Tube |
| Evaporator | Cold Wall |
| Defrost | Manual |
| Condenser | Shell |
| Running Amps | 10 amps (115v) 5 amps (230v) |

Safe, Economical & Easy Access

Freezers are manufactured using environmentally safe urethane foam insulation. Key-Locking counterbalanced lid with non-magnetic gasket.

CFC Free

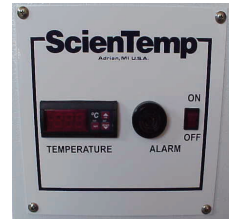
All products are manufactured using CFC free, non-toxic, non-combustible and non-ozone depleting refrigerant. Compressors are permanently lubricated and hermetically sealed.

Sturdy Construction

Outer cabinet is made of welded steel with high-impact textured powder coat finish. Inner compartment is made of welded steel, zinc coated, epoxy enamel finish.

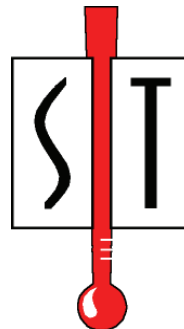
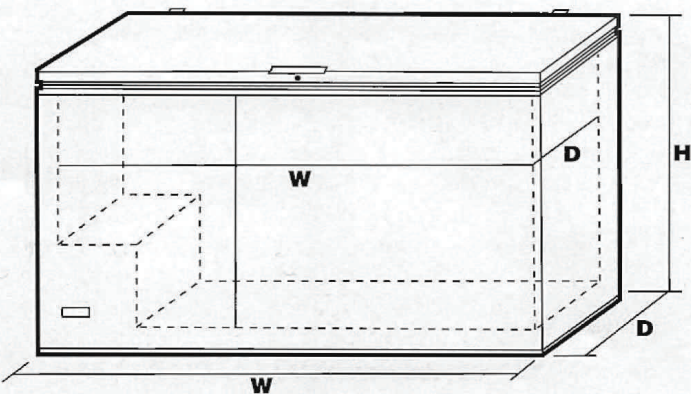
Temperature Display / Alarm

Digital readout displays internal temperature in either Degrees Centigrade or Fahrenheit. An audible alarm sounds to alert personnel of a rise in internal temperature. (No Battery Backup)



Accessories and Upgrades

- Access Ports (Limited to certain sizes and areas on Freezer)
- Internal Heater
- Internal Fan
- Cyro-Gloves
- CAL9500 Temperature Controller for Ramp/Soak Control
- CALgrafix Software (only available with upgrade to CAL9500 Controller)
- 6" Chart Recorder
- Automatic Voice Pager Dialer
- Explosion Proofing



SciencTemp™

3565 S. Adrian Hwy

Adrian, MI 49221

Ph. 517-263-6020 / Fax 517-263-5492

Toll Free 1-800-968-2653

