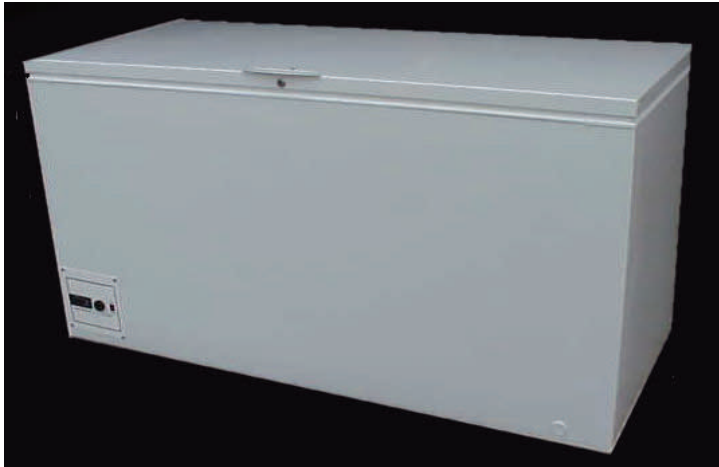


# Model 34-20



Standard 20 cu. ft. Freezer

Exterior Dimensions	35"H x 62"W x 30"D
Interior Dimensions	25.5"H x 56"W x 22"D
Temperature Range	0 C / 32F to -34 / -30F
Capacity	20 cubic foot
Insulation	Urethane
Door	Key Locking
Casters	None
Temperature Controller	Digital Display
Alarm (No Battery Backup)	Audible Only
<b>Refrigeration</b>	
Compressor - High stage	1/8 hp
Compressor	(Not Applicable)
Refrigerant	R-404A
Voltage	115/60/1 230/60/1 230/50/1
Refrigerant Control	Capillary Tube
Evaporator	Cold Wall
Defrost	Manual
Condenser	Shell
Running Amps	10 amps (115v) 5 amps (230v)

## Safe, Economical & Easy Access

Freezers are manufactured using environmentally safe urethane foam insulation. Key-Locking counterbalanced lid with non-magnetic gasket.

## CFC Free

All products are manufactured using CFC free, non-toxic, non-combustible and non-ozone depleting refrigerant. Compressors are permanently lubricated and hermetically sealed.

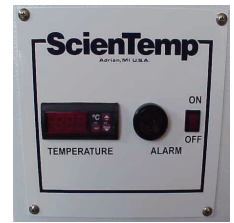
## Sturdy Construction

Outer cabinet is made of welded steel with high-impact textured powder coat finish. Inner compartment is made of welded steel, zinc coated, epoxy enamel finish.

## Temperature Display / Alarm

Digital readout displays internal temperature in either Degrees Centigrade or Fahrenheit.

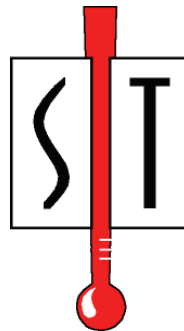
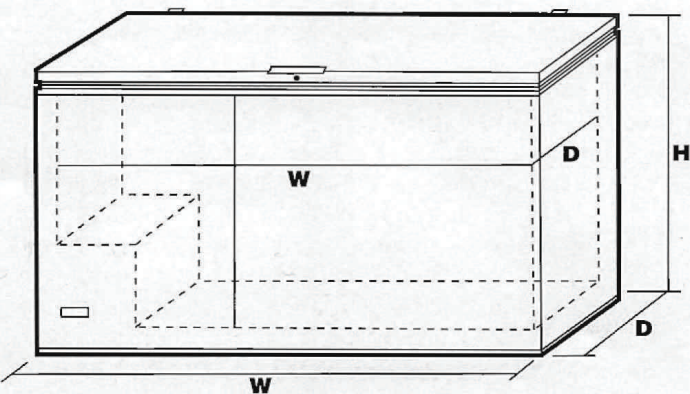
An audible alarm sounds to alert personnel of a rise in internal temperature. (No Battery Backup)



## Accessories and Upgrades

- Access Ports (Limited to certain sizes and areas on Freezer)
- Internal Heater
- Internal Fan
- Cyro-Gloves
- CAL9500 Temperature Controller for Ramp/Soak Control
- CALgrafix Software (only available with upgrade to CAL9500 Controller)
- 6" Chart Recorder
- Automatic Voice Pager Dialer
- Explosion Proofing
- Rack Systems

Note: Some items listed in the upgrades and accessories will require an end rack to be added to freezer.



# ScienTemp™

3565 S. Adrian Hwy

Adrian, MI 49221

Ph. 517-263-6020 / Fax 517-263-5492

Toll Free 1-800-968-2653

